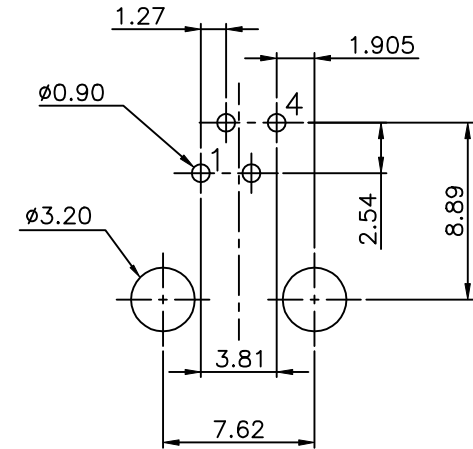
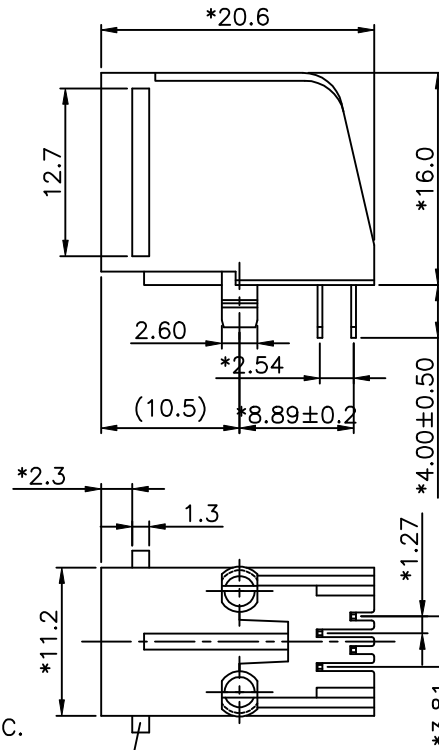
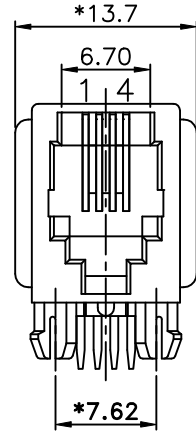


REVISION RECORD				
REV	ECO	DESCRIPTION	DRFT	CHKD



PC Board Layout
Component Side Shown

NOTES:

ELECTRICAL:

- VOLTAGE RATING : 125 VAC RMS MIN.
- CURRENT RATING : 1.5 AMP MIN.
- CONTACT RESISTANCE : 30 MILLIOHMS MAX.
- INSULATION RESISTANCE: 1000 MEGOHMS MIN @ 1000 VDC.
- DIELECTRIC STRENGTH : 1000 VAC RMS 60Hz, 1MIN.

MECHANICAL:

- HOUSING MATERIAL : GLASS FILLED POLYESTER UL94V-0.
- CONTACT MATERIAL : PHOSPHOR BRONZE t=0.35mm.
- PLATING : 1: CONTACT AREA- SELECTIVE GOLD PLATING.
2: TAILS- PLATED TIN OVER NICKEL
- OPERATING LIFE : 750 CYCLES MIN.
- PCB RETENTION PRE-SOLDER : 1 LB MIN.
- PCB RETENTION POST-SOLDER: 10 LBS MIN.

ENVIRONMENTAL:

- STORAGE : -40°C TO +85°C.
 - OPERATION: 0°C TO 70°C.
 - WAVE SOLDERING TEMPERATURE: 230°C TO 250°C 3-5SECOND
- MATES WITH MODULAR PLUG CONFORMING TO
FCC PART 68, SUBPART F.
CUL FILE NO. E163191

△ PART NUMBER: E574X-0000XX-L

- 2- 2 CONTACTS
- 4- 4 CONTACTS
- 1- 3u" 2- 6u" 3-15u"
- 4-30u" 5-50u" 6-Pd20u"
- 3-W/ PANNEL STOP
- 4-W/O PANNEL STOP

DETACHED LISTS	MM (INCH)	DFTO SAMMY	DATE 04/22/05
	TOLERANCES EXCEPT AS NOTED	CHKD JAKE	DATE 2005/4/22
	MM	MFO	DATE
	.0 ±0.20 .00 ±0.15 .000 ±0.075	APPV LUSHENG	DATE 2005/4/22
ANGLES ±	QT'Y :	MATERIAL :	
THIRD ANGLE PROJECTION	FINISH :	SCALE :	

FULL RISE ELECTRONIC CO., LTD			
TITLE			
SIDE ENTRY PCB JACK 4P			
DRAWING NO. GE573008-LC		SIZE	REV
/PART NO. SEE NOTE		A3	0
DO NOT SCALE DRAWING		SHEET X	OF Y